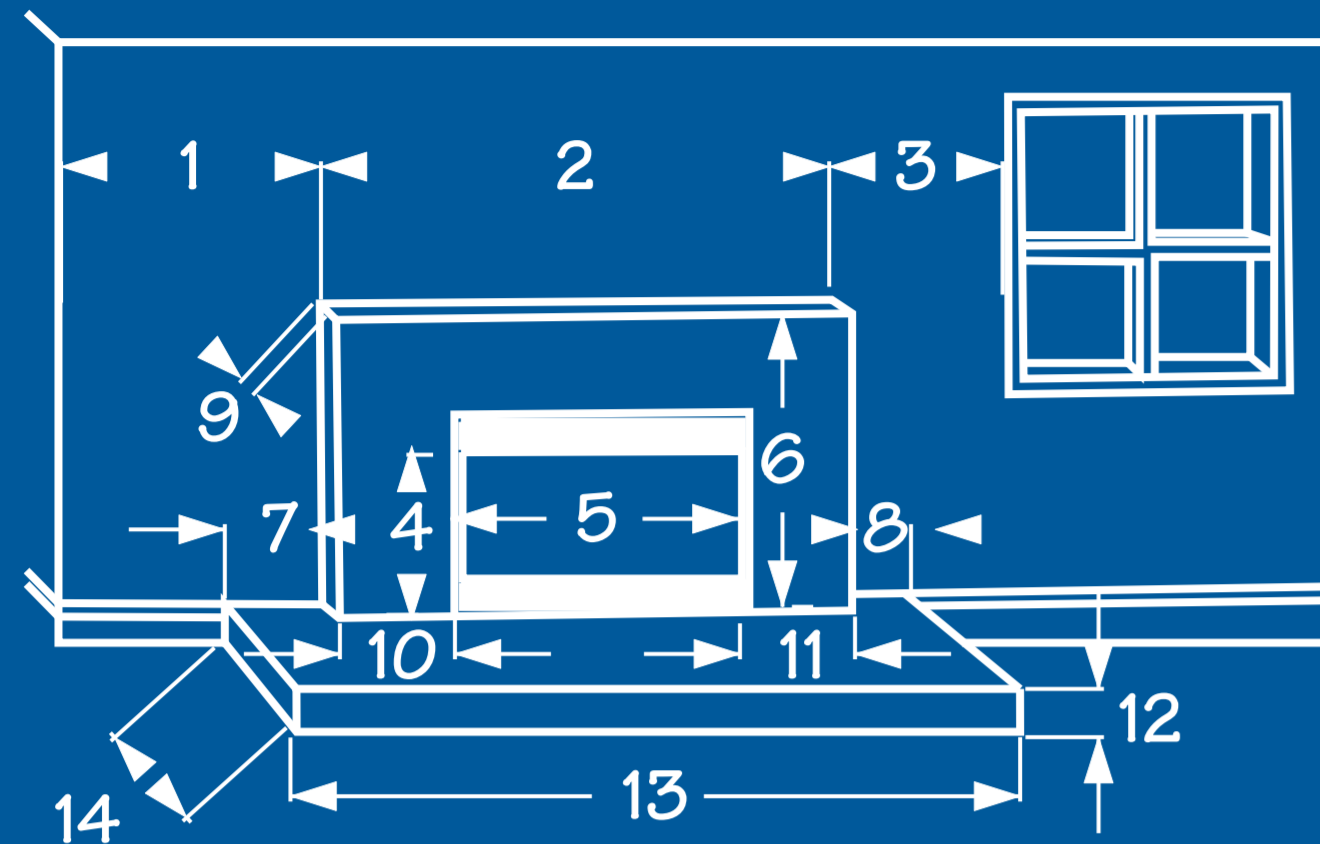
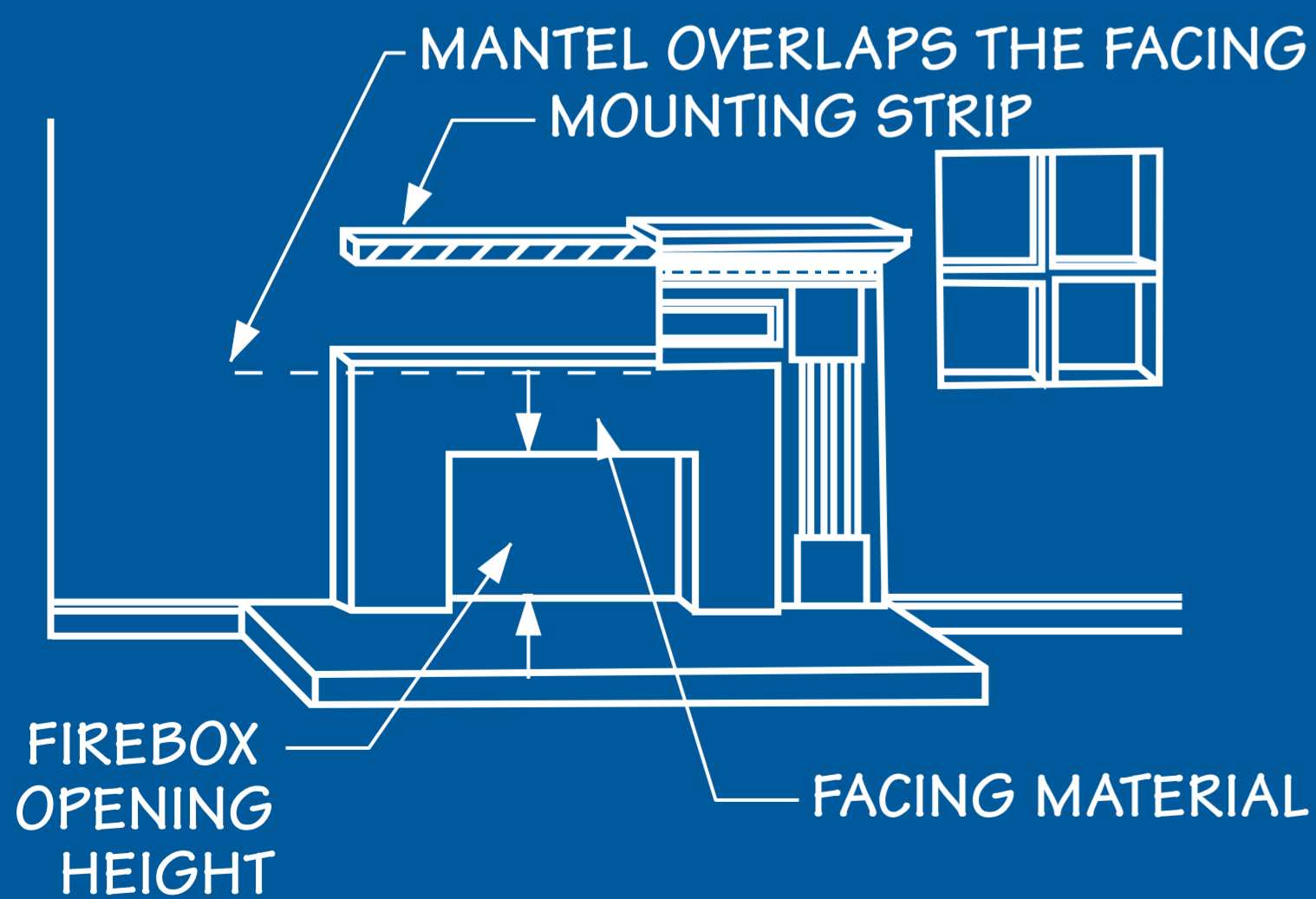


SIZING YOUR NEW MANTEL IS EASY :
FOLLOW THE DIRECTIONS BELOW FOR THE
PERFECT FIT



YOUR DIM.	DESCRIPTION
_____	1. SIDE CLEARANCE
_____	2. FACING WIDTH
_____	3. SIDE CLEARANCE
_____	4. FIREPLACE OPENING HEIGHT
_____	5. FIREPLACE OPENING WIDTH
_____	6. FACING MATERIAL HEIGHT
_____	7. HEARTH SIDE CLEARANCE
_____	8. HEARTH SIDE CLEARANCE
_____	9. FACING THICKNESS
_____	10. FACING: TILE, BRICK, ETC.
_____	11. FACING: TILE, BRICK, ETC.
_____	12. HEARTH HEIGHT
_____	13. HEARTH LENGTH
_____	14. HEARTH DEPTH

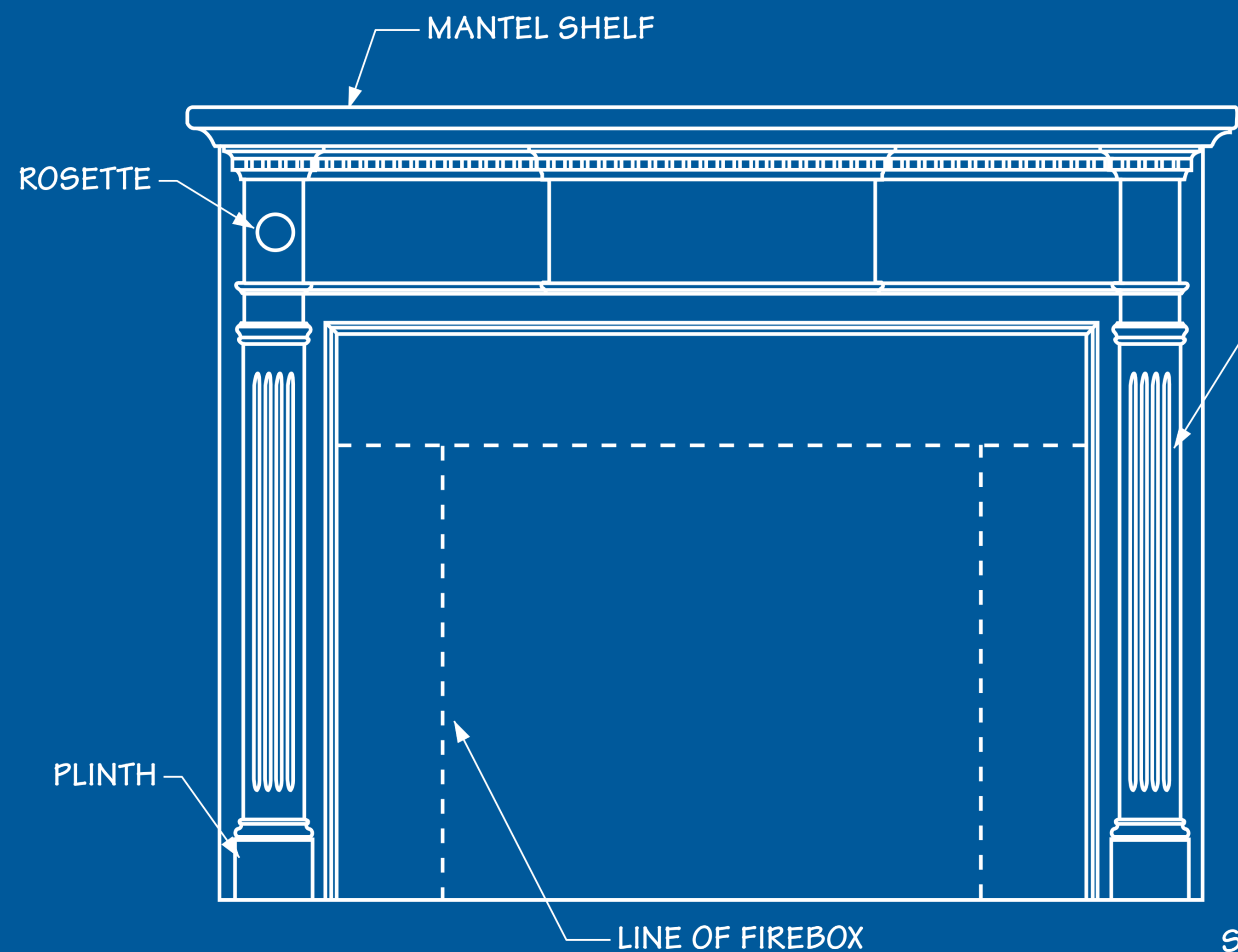


MANTEL SIZING

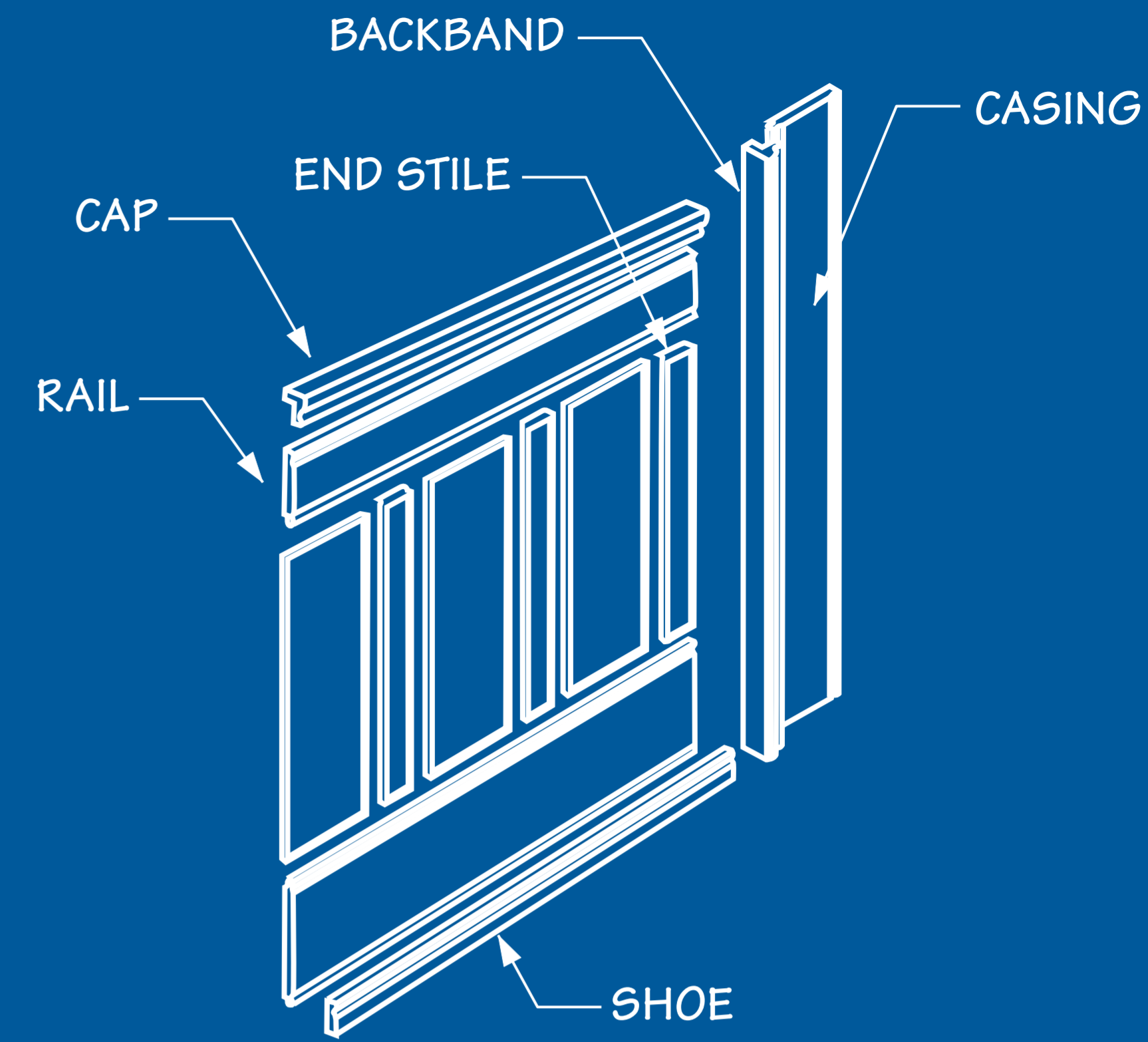
SOMETIMES, A MANTEL IS MORE THAN YOU NEED.
MANTEL SHELVES ARE THE PERFECT DECORATIVE
SHELF FOR ANY SPECIAL AREA OF YOUR HOME.
THEY ARE ALSO USED ON STONE FACED
FIREPLACES WHERE TRADITIONAL MANTELS
WOULD BE INAPPROPRIATE.



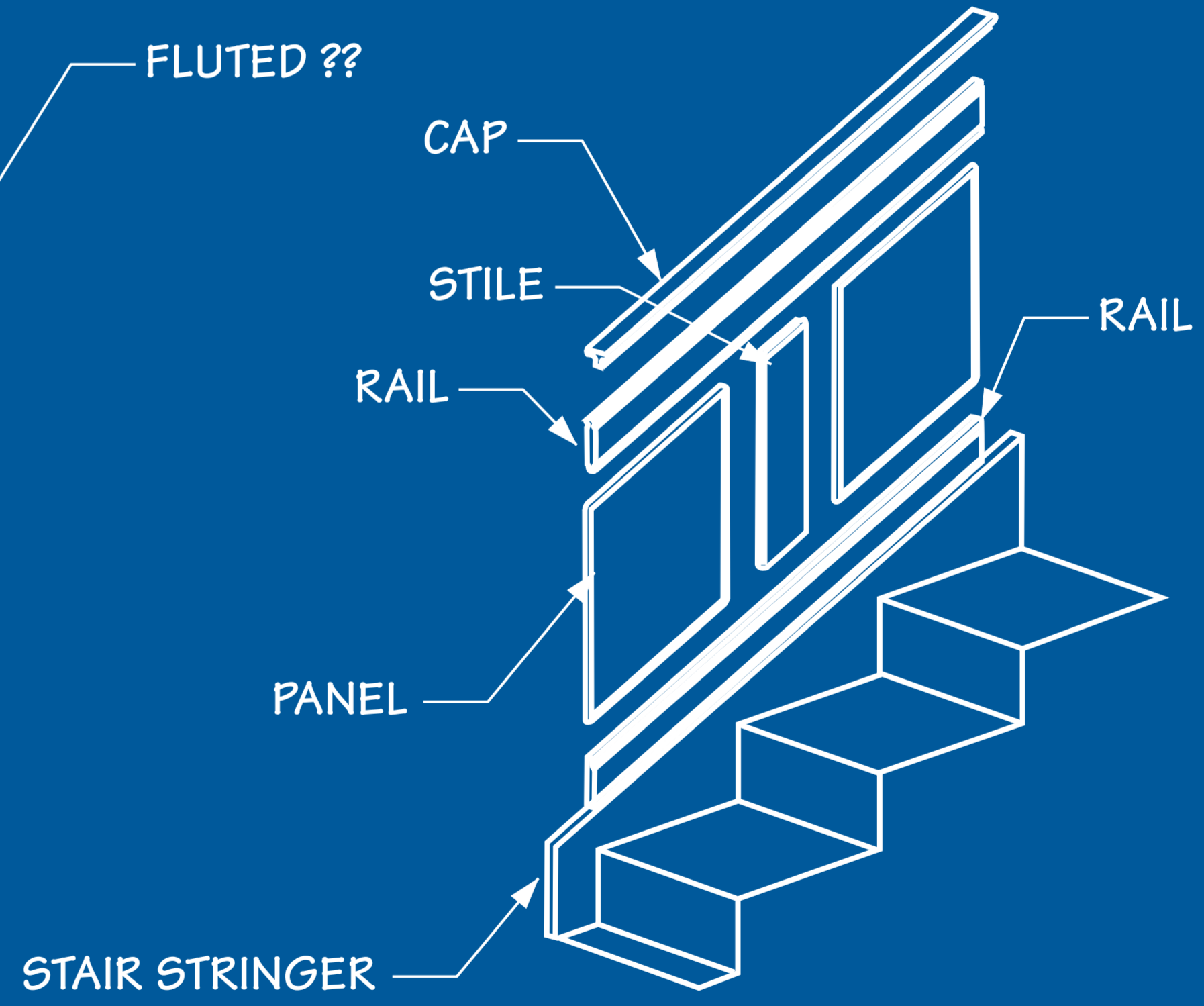
MANTEL SHELVES



MANTEL DETAILS



PREFINISHED WAINSCOTTING SYSTEM



PREFINISHED STAIR PANEL SYSTEM



INTERIOR ELEMENTS
FACT SHEET

Drawn By:
P.A.W.
Drawing No.
2004-22