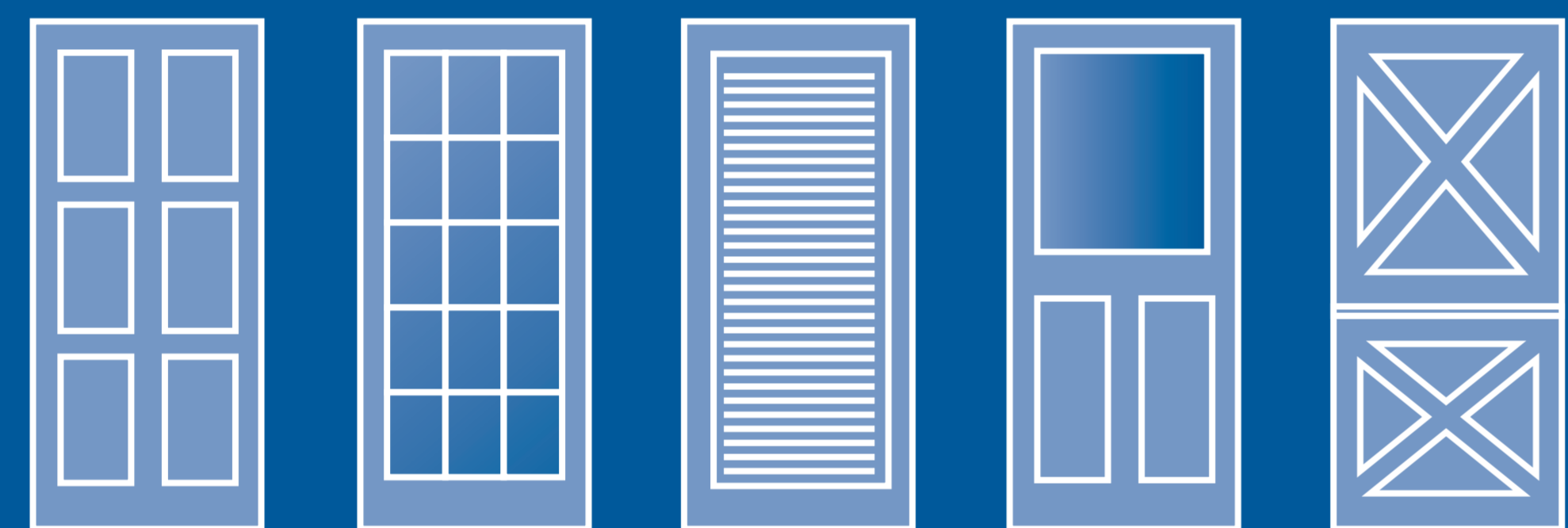


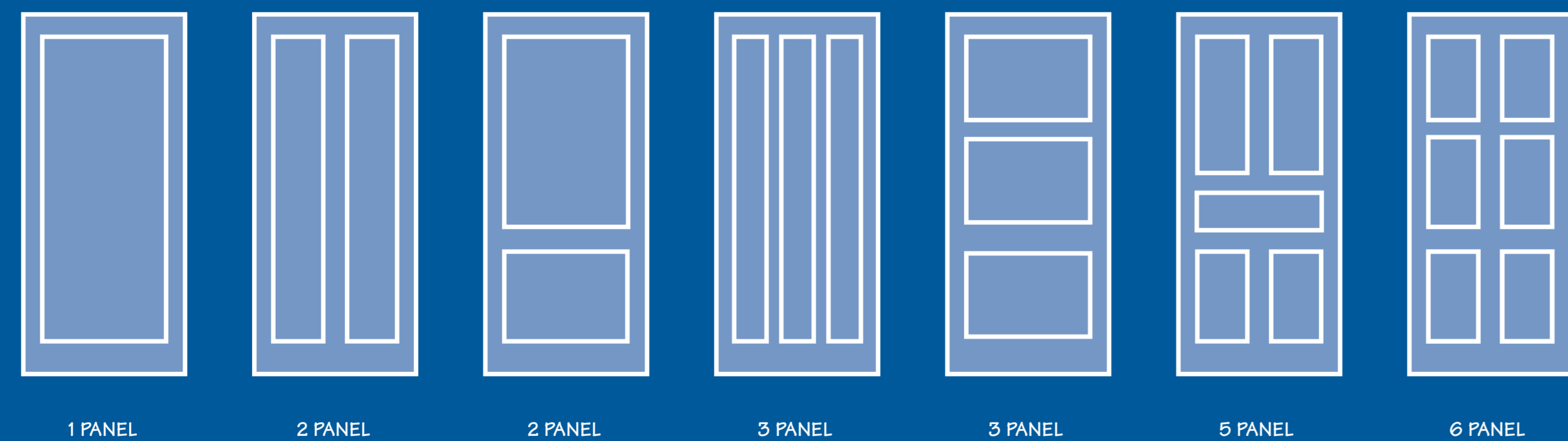
RECTANGULAR
ELLIPSE
SEGMENTED
HALF CIRCLE
TRANSOM SHAPES



SQUARE PANEL
CATHEDRAL ARCH
ROMAN ARCH
ARCH TOP
RADIUS TOP
DOOR SHAPES



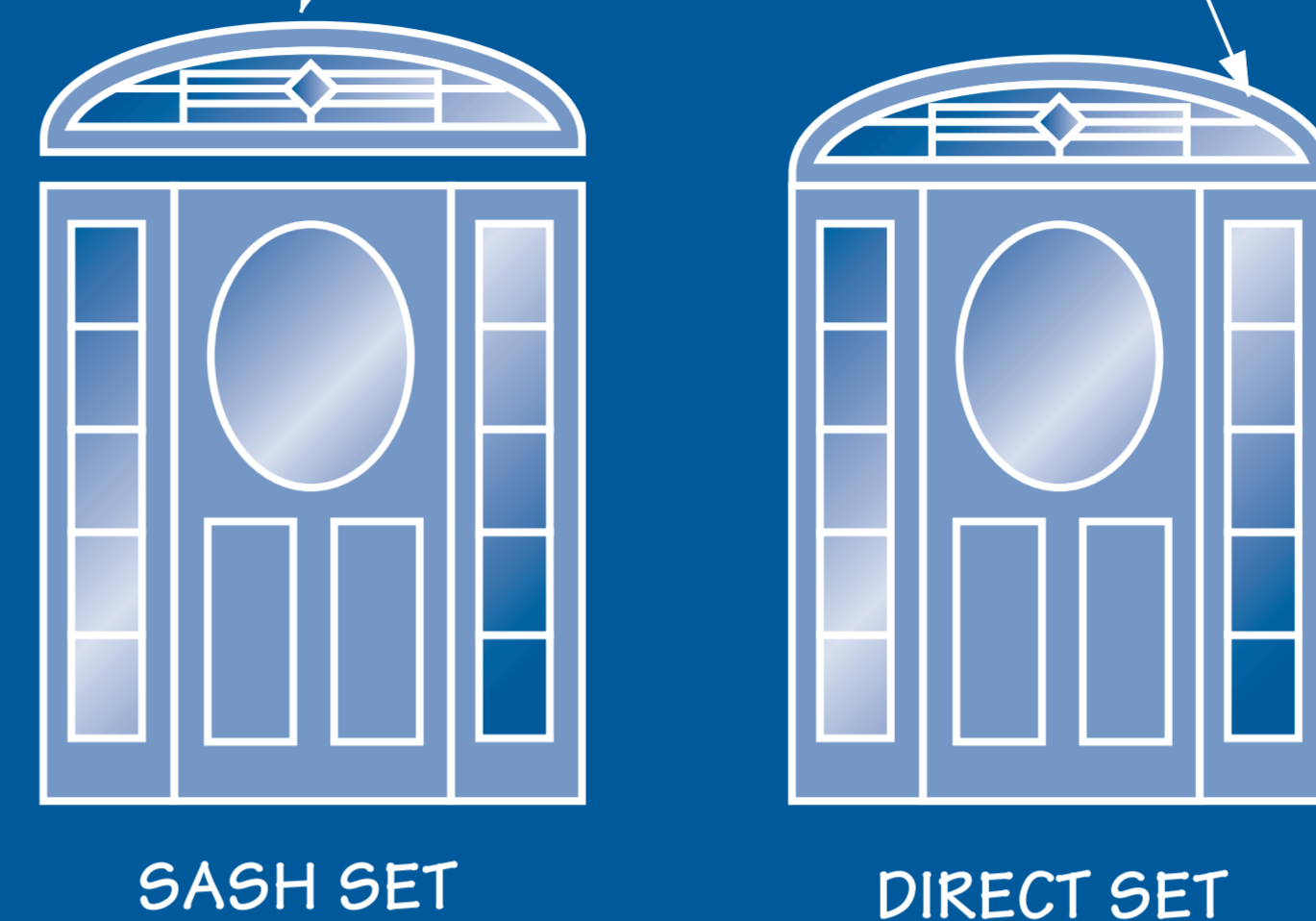
PANEL (FLAT OR RAISED)
FRENCH
LOUVER
SASH
DUTCH
TYPICAL DOOR TYPES



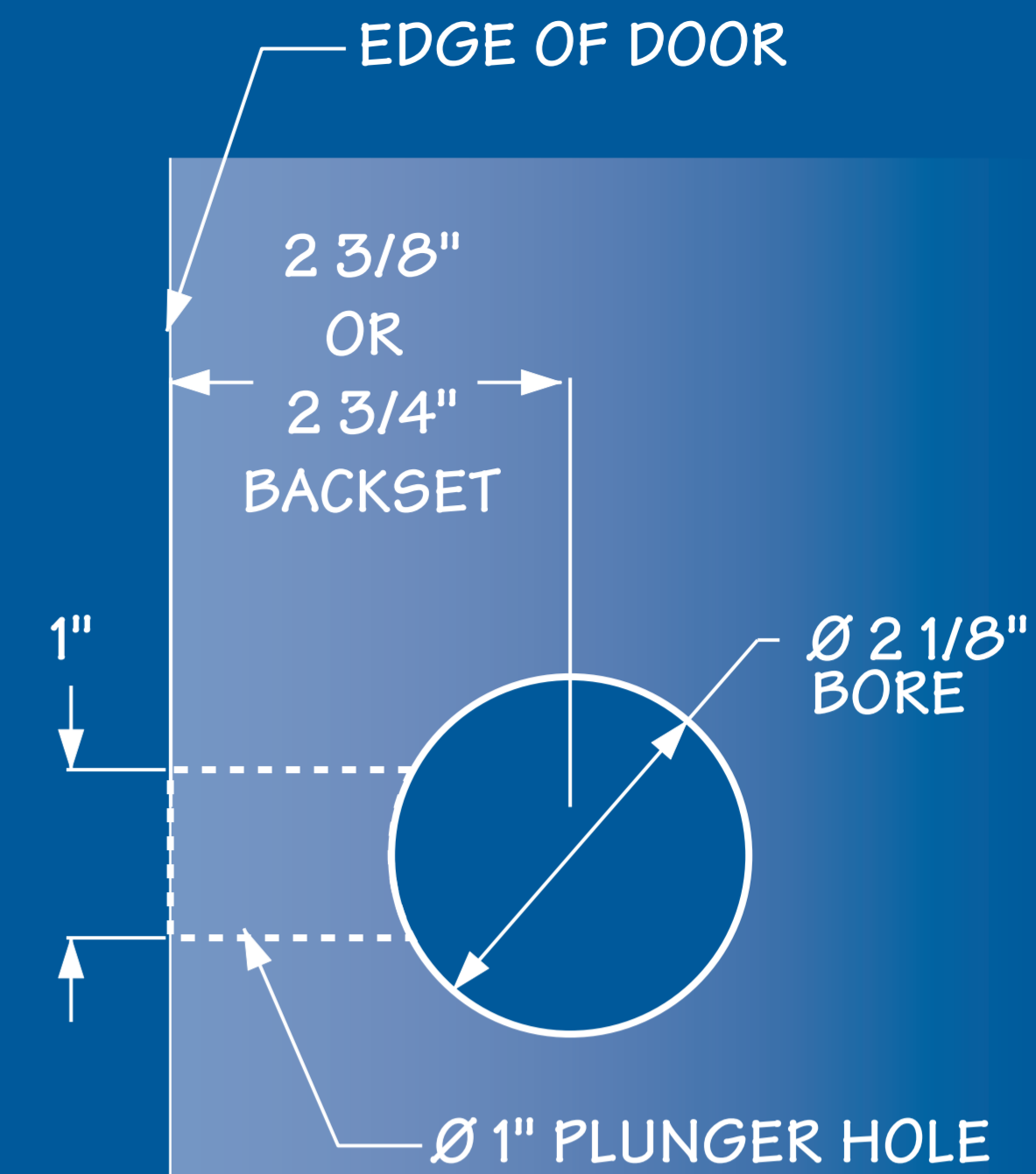
1 PANEL
2 PANEL
2 PANEL
3 PANEL
3 PANEL
5 PANEL
6 PANEL
**TYPICAL PANEL DOORS
(FLAT OR RAISED PANEL)**

DOOR DICTIONARY

TRANSOM INSTALLS
IN IT'S OWN ROUGH OPENING
TRANSOM STACKS
ON TOP OF DOOR UNIT

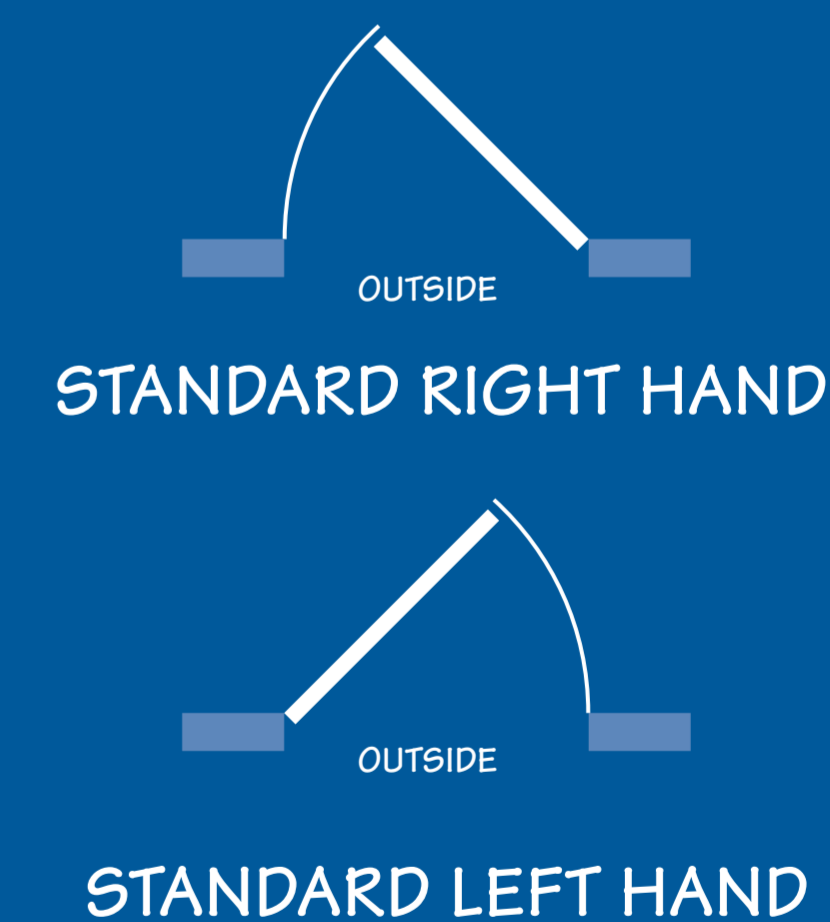


SASH SET
DIRECT SET

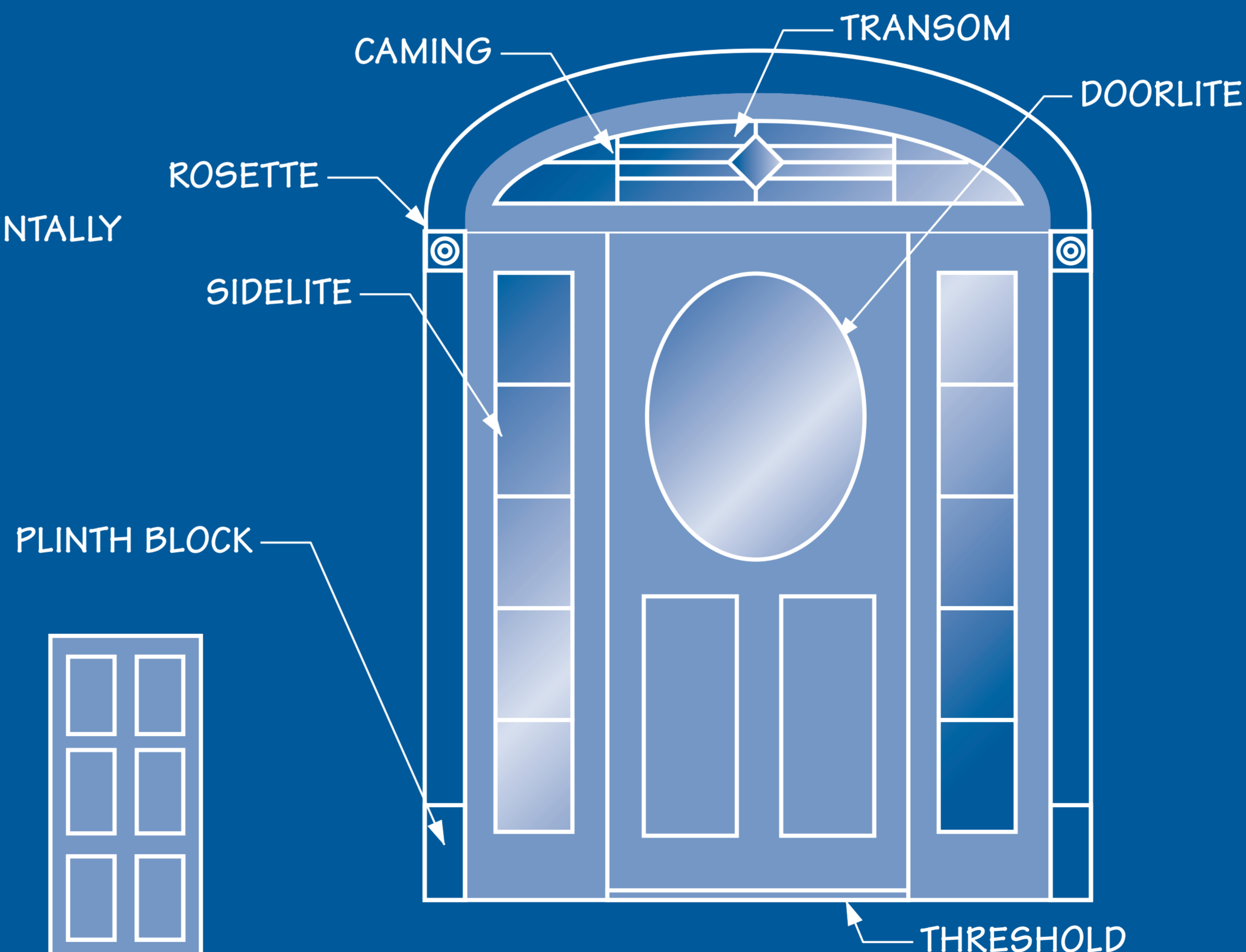


IN THE U.S. THERE ARE TWO COMMON BACKSETS FOR RESIDENTIAL LOCKS, 2-3/8" AND 2-3/4". THE BACKSET IS THE DISTANCE FROM THE EDGE OF THE DOOR TO THE CENTER OF THE 2-1/8" BORE HOLE.

BORING



HANDING



ENTRY SYSTEM PARTS



EXTERIOR DOOR AND
ENTRY SYSTEM FACT SHEET

Drawn By:
P.A.W.

Drawing No.
2004-04